

WOHNER FUSE HOLDERS



Class CC & Midget



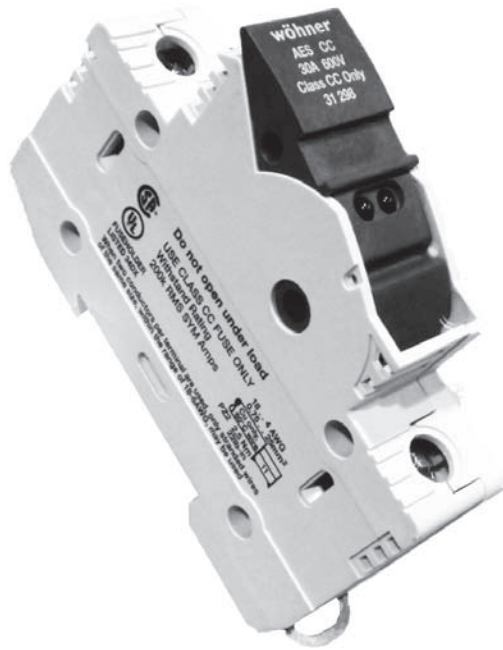
Class J 30A/60A



Class J 100A-400A

30A /600VAC

wöhner



Wöhner Class CC and Midget fuseholders are compact DIN rail mountable fuseholders available in a variety of configurations and options. They offer enhanced specifications and features.



Ganging kit for 2 or 3 Pole units

Technical Specifications

Fuse Types:	Class CC & Midget
Voltage Rating:	600V (CSA/UL) 690V (IEC) 1000VDC (CSA/UL) Midget only/non indicating
Ampere Rating:	30A.
LED Indication-Std:	110-600VAC/DC
LED Indication-LV:	12 - 72VAC/DC
SCCR:	Class CC - 200kA Midget - 50kA with KLK fuse
Terminal Style:	Box Connector
Wire size:	1 wire #18-#4 AWG or 2 wires #18-#6 AWG (must be stranded and same size)
Tightening Torque:	18-22 lb/in (2.0 -2.5Nm)
Flammability rating:	UL94
Approvals:	CSA C22.2 no. 39 (file 110285) UL512 (file E230163)

Features and Benefits

- Accepts all standard CC and Midget fuses
- 1000VDC version available
- Larger wire capacity
- Non-Indicating and Indicating versions available
- Easy installation and removal of fuses
- Mounts on standard 35mm DIN rail
- Smooth Cam action
- Ventilated for cooler operation
- Insensitive to DC polarity
- Optional low voltage indicator works down to 12V
- Ganging kits available to assemble 2 and 3P
- Wide range of accessories

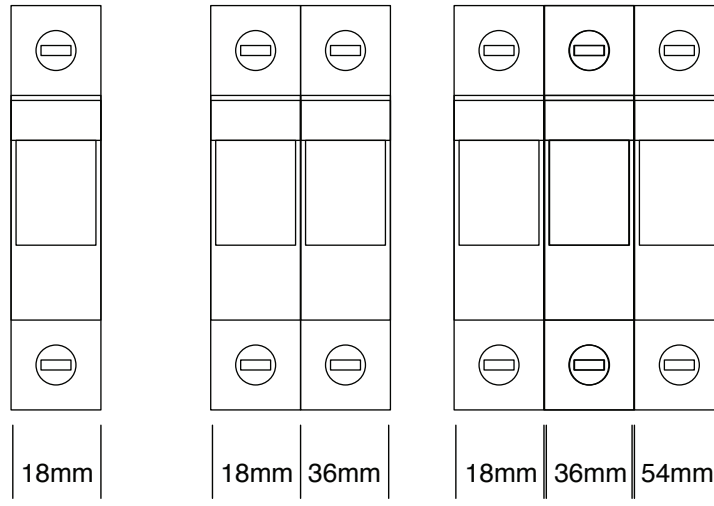
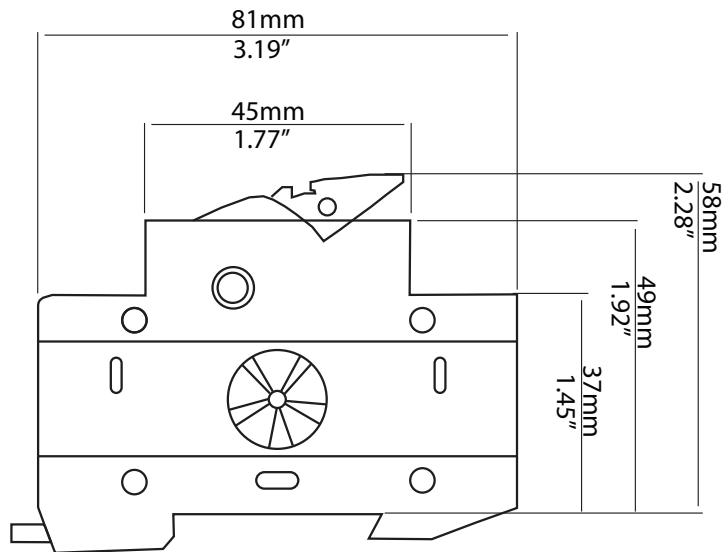
No. of Poles	Part No. for Class CC		Part No. for Midget		VAC	Accessories for both Class CC & Midget	
	Non-Ind	Indicating	Non-Ind	Indicating			
1P	31295.000	31298.000	31110.000	31130.000	600V	Neutral pole	31258.000
2P	31296.000	31299.000	31112.000	31132.000	600V	Marking labels	31939.000
3P	31297.000	31300.000	31113.000	31133.000	600V	Ganging kit for 2P	31267.000
1P	-	-	31971.000	-	1000VDC	Ganging kit for 3P	31268.000
		LV Indicating		LV Indicating			
1P	-	31929.000	-	31930.000			

30A /600VAC

wöhner

Dimensions - mm/in.

Class CC & Midget



30 and 60 Amp / 600VAC

wöhner



Technical Specifications

Voltage Rating: 600VAC
Interrupting Rating: 200kA
Amp Rating: 30A and 60Amp versions
Terminal Type: Box Terminal
Wire Range 30A: 1 wire - AWG 18 - 1/0, Class B
 Md 3,5 - 4,0Nm / 31 - 35lb/in.
 2 wire (identical cross sections)
 AWG18 - AWG8 , Class B
 Md 3,5 - 4,0 Nm / 31 - 35 lb/in.
Wire Range 60A: 1 wire AWG14 - 1/0, Class B
 Md 3,5 - 4,0 Nm / 31 - 35lb/in.
 2 wire (identical cross sections)
 AWG10 - AWG6, Class B
 Md 3,5 - 4,0 Nm / 31 -35lb/in.
Material: Thermo-plastic
Self-extinguishing: In acc. to UL 94
Approvals: CSA (110285)
 UL (E230163)
 Approved for feeder circuits
 to UL508

Features and Benefits

- Meets Dead Front requirements
- Larger cable capacity
- Non-Indicating and Indicating versions available
- Easy installation and removal of fuses
- Mountable on 35mm DIN rail
- Smooth Cam action
- Ventilated for cooler operation
- Compact design

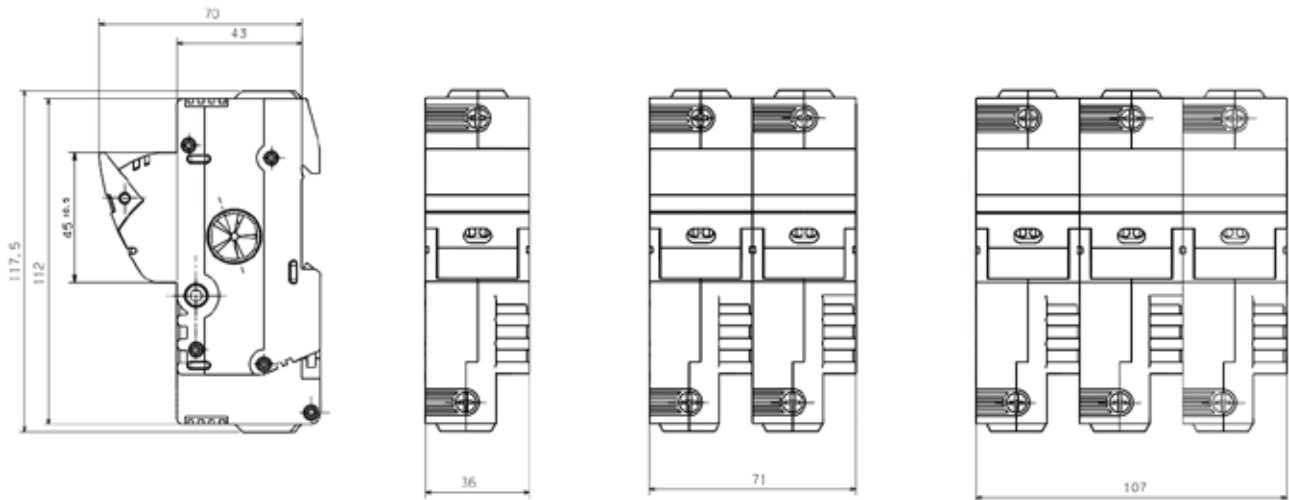
Fusetek Part Number	No. of Poles	pack Qty	Voltage rating	Amp Rating	Option
31284	1	6	600	30	-
31285	2	3	600	30	-
31287	3	2	600	30	-
31932	1	6	600	30	Indicating
31933	2	3	600	30	Indicating
31934	3	2	600	30	Indicating
31920	1	6	600	60	-
31921	2	3	600	60	-
31922	3	2	600	60	-
31923	1	6	600	60	Indicating
31924	2	3	600	60	Indicating
31925	3	2	600	60	Indicating

30 and 60 Amp / 600VAC

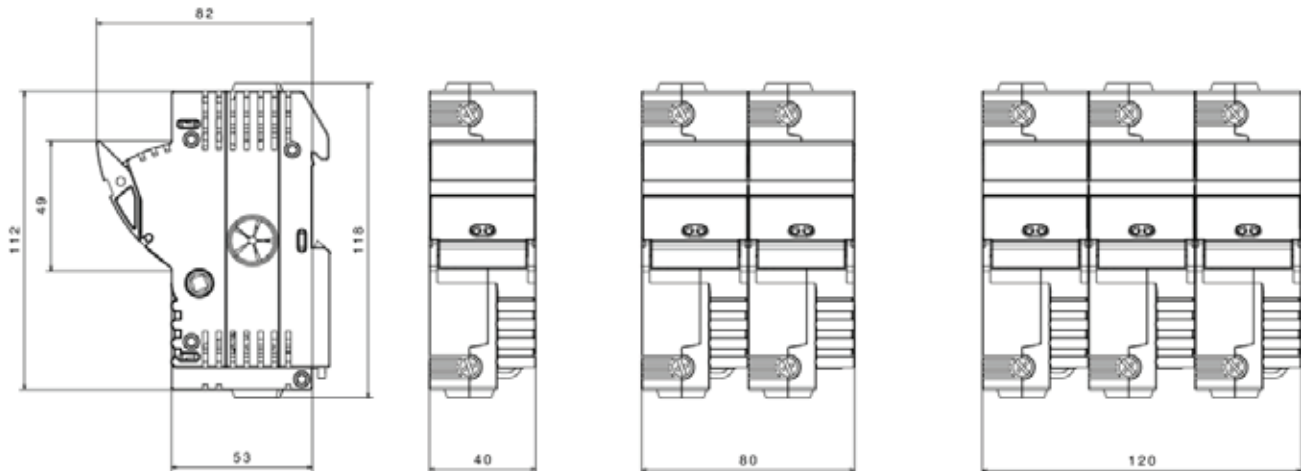
wöhner

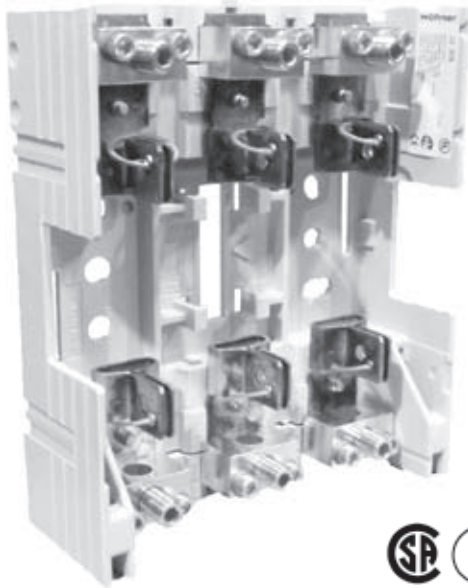
Dimensions - mm

30A / 600VAC Class J Dead Front



60A / 600VAC Class J Dead Front





Fusetek Part Number	Amp Rating	No. of Poles	pack Qty	Voltage rating
33306	100A	3P	1	600V
33307	200A	3P	1	600V
33308	400A	3P	1	600V



This finger safe cover is included with each holder.

Protective sleeve on cover must be removed prior to installation

Technical Specifications

Voltage Rating:	600VAC
Interrupting Rating:	200kA
Amp Rating:	100A, 200A & 400Amp versions
Poles:	3 Pole only
Wire Range 100A:	AWG10 2/0
Torque:	125 - 142 lb/in.
Terminal Type:	Tunnel terminal with hole 12,5mm diameter
Wire Range 200A:	AWG8 - 300MCM.
Torque:	142 - 160 lb/in.
Terminal Type:	Tunnel terminal with hole 17mm diameter
Wire Range 400A:	AWG4 - 600MCM.
Torque:	336 - 355 lb/in.
Terminal Type:	Tunnel terminal with hole 23mm diameter
Cover:	Included. Clear lexan
Material:	Thermo-plastic
Self-extinguishing:	In acc. to UL 94
Approvals:	CSA (110285) UL (E230163) Approved for feeder circuits to UL508

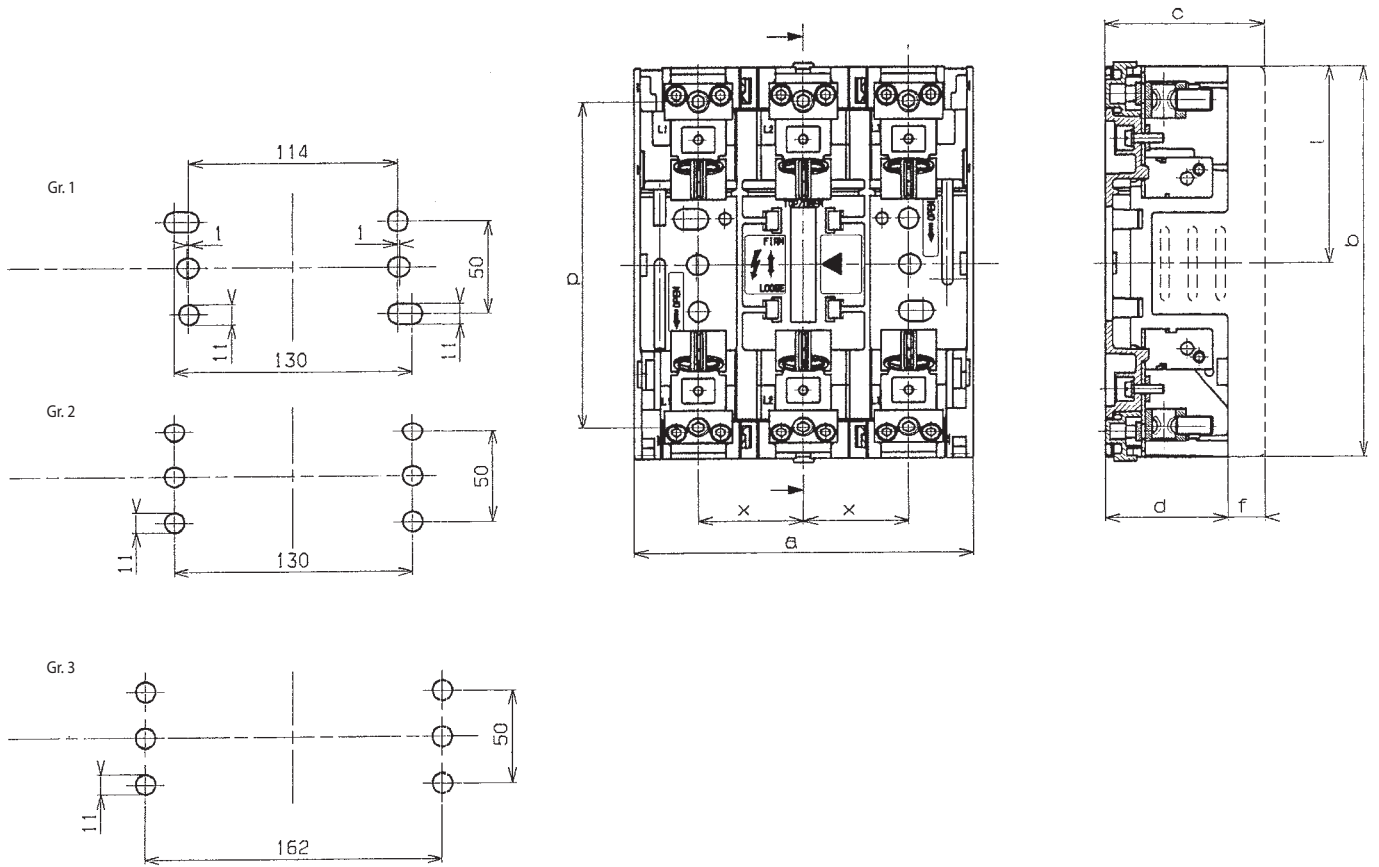
Features and Benefits

- Meets Dead Front requirements
- Larger conductor cross section can be connected
- Easy installation and removal of fuses
- Ventilated for cooler operation
- Accepts standard Class J fuses
- Fuse indicator (if used) visible through cover

100A, 200Amp and 400A / 600VAC

Dimensions - mm

Part	Amp	A	B	C	D	E	F	L	P	Q	X
33306	100A	184	214.5	103	83	221	20	101	104.5	110.5	57
33307	200A	210	255	117	97	268	20	118	128	124.5	65
33308	400A	256	267	132.5	112.5	285	20	121.5	136.5	139	81





Head Office

**599 Norris Court
Kingston, On. K7P2R9**

Toll Free T: 800-479-3875

Toll free F: 800-866-7690

Intl T: 613-384-4144

Intl F: 613-384-0167

E: info@fusetek.com

W: www.fusetek.com