

# Be Connected

## Up-LINK Class CC and Midget Fuse Holder



The Littelfuse Up-LINK solid state dead-front fuseholder series provides remote fuse status functionality without the need to incorporate proprietary network protocols. It features two separate indication modes. The first mode provides remote indication for immediate notification to maintenance personnel monitoring their system. The second mode is local LED indication on the face which is convenient once the panel door is open.

When advanced notification is beneficial in limiting expensive downtime, reducing production scrap or minimizing unsafe conditions to personnel, Up-LINK provides remote fuse status communication that can easily be integrated with a nearby PLC. Remote monitoring throughout the manufacturing environment improves uptime of critical loads by immediate detection and notification of problems.

Up-LINK has also been designed with retrofitting in mind. Specifically, all 1, 2 and 3 pole Up-LINK holders have the same footprint as their corresponding Littelfuse LPSM Midget and LPSC Class CC dead-front fuse holders, making design upgrades easy in existing applications.

### Product Benefits

- Cost effective solution for remote blown fuse indication
- Easily integrates with an existing PLC or system
- Data is not shared with a 3<sup>rd</sup> party
- Utilizes reliable solid state circuitry
- Current-limiting Class CC fuses provide superior protection with high interrupting rating
- Meets stringent IEC and UL Touch Safe Standards to improve worker safety

### Specifications

<b>Voltage Rating :</b>	100 - 600 Volts AC/DC
<b>Amperage:</b>	30 amperes max
<b>SCCR:</b>	200kA (Class CC) 100kA (KLK Midget)
<b>Terminal Type :</b>	Pressure Plate (torque 17.7 in -lbs)
<b>Wire Range :</b>	#8 - #14 CU Stranded #10 - #14CU Solid
<b>Flammability Rating :</b>	94V0
<b>Approvals :</b>	UL Listed (Class CC) UL Recognized (Midget) CSA (Midget & Class CC)

### Remote Indicating Circuit

<b>Output (open fuse) :</b>	Open Collector
<b>Max Current Sink :</b>	25mA (28VDC Max)
<b>Terminals :</b>	Push In
<b>Wire Range:</b>	#16 - #24CU Solid/Stranded

### Part Numbers:

#### Class CC

LINK001C	Single Pole
LINK002C	Two Pole
LINK003C	Three Pole

#### Midget

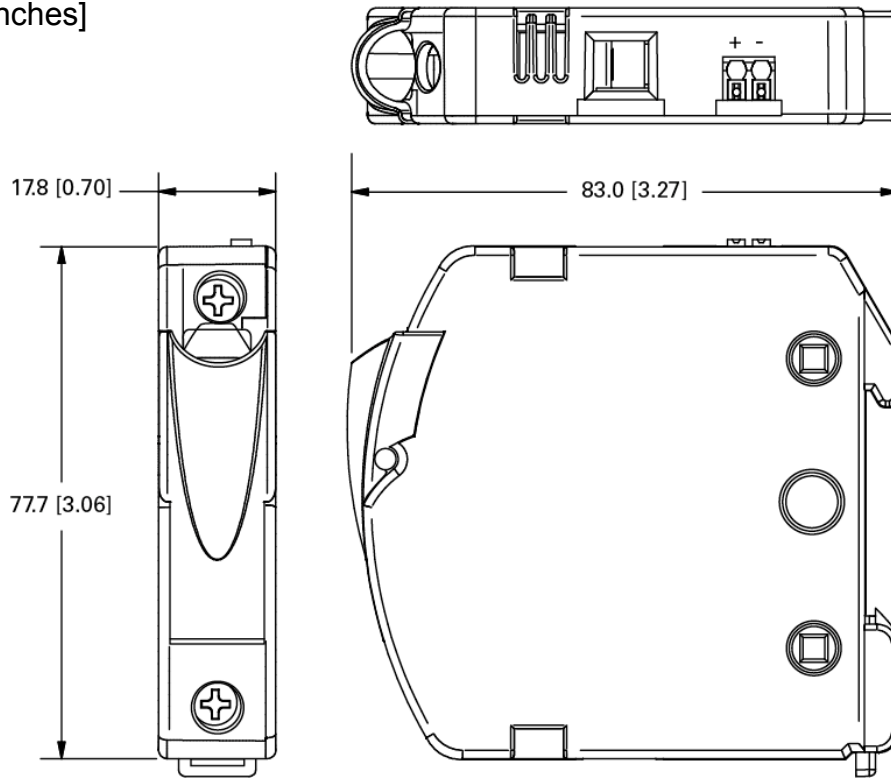
LINK001M	Single Pole
LINK002M	Two Pole
LINK003M	Three Pole

# Solid State Indicating Fuse Holder



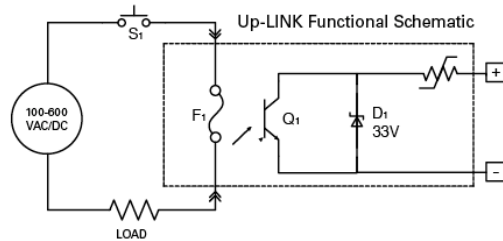
Expertise Applied | Answers Delivered

Dimensions: mm [inches]

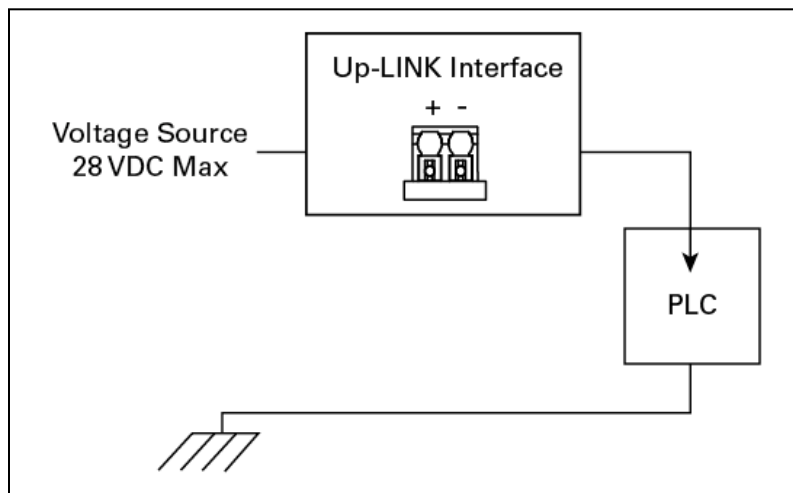


Up-LINK Logic

S <sub>1</sub>	F <sub>1</sub>	Q <sub>1</sub> /LED
		OFF
		ON
		OFF
		OFF



## Suggested Up-LINK Connection



599 Norris Court  
Kingston, Ontario  
K7P 2R9  
Toll Free T: 800-479-3875  
Toll Free F: 800-866-7690