

wöhner

DIN rail mount fuseholders



Wohner Class CC and Midget fuseholders are compact DIN rail mountable fuseholders available in a variety of configurations and options. They offer enhanced specifications and features.

Features/Benefits

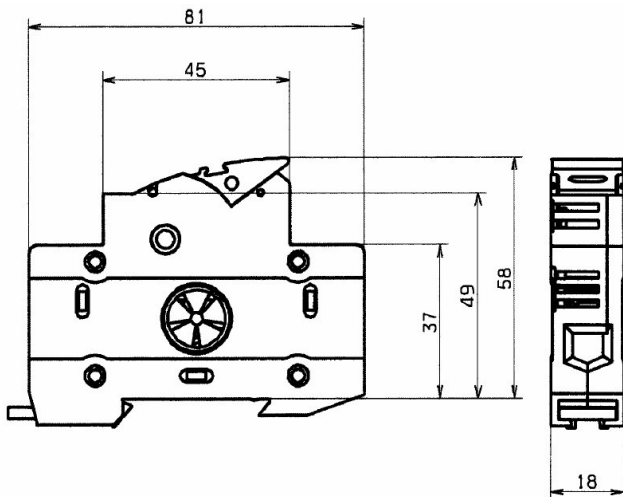
- Larger wire capacity
- Ganging kits available to assemble 2 and 3P
- Optional low voltage indicator works down to 12V
- Wide range of accessories
- Insensitive to DC polarity
- Accepts all standard CC and midget fuses



Part Numbers

# Poles	Fuseholders				Accessories	
	for Class CC fuse		for Midget fuse		use with CC and Midget versions	
	Non Ind.	Std Indicating	Non Ind.	Std Indicating		
1P	31295.000	31298.000	31110.000	31130.000	Neutral Pole	31258.000
2P	31296.000	31299.000	31112.000	31132.000	Marking Labels	31939.000
3P	31297.000	31300.000	31113.000	31133.000	Ganging Kit for 2P	31267.000
		LV Indicating		LV Indicating	Ganging Kit for 3P	31268.000
1P	-	31929.000	-	31930.000		

Dimensions (mm)



General Specifications

Fuse types: Class CC and Midget
Voltage rating: 600V (CSA/UL) 690V (IEC)
LED Indication-Std 110 - 600Vac/dc
LED Indication - LV 12 - 72Vac/dc
Accessories Marking labels, ganging kits, busbar, Neutral poles.
Ampere rating: 30A
SCCR Class CC - 200kA
Midget - 50kA with KLK
Terminal Style: Box connector
Wire size range 1 wire #18-#4 AWG or 2 wires #18-#6 AWG (must be stranded and same size)
Tightening torque 18-22 lb/in. (2.0-2.5Nm)
Flammability rating: UL94
Approvals: CSA C22.2 no.39 (file 110285)
UL 512 (file E230163)

