

# DRIWISA™ FUSE-HOLDERS

## SINGLE AND THREE-POLE

### INDOOR SERVICE



# B

## OVERVIEW



**DRIWISA™** fuse-holders are used as connecting and holding elements for **DRIWISA™** high voltage, current-limiting fuses, as well as for other fuse brands, built in accordance to the dimensions specified in the international standards (IEC and DIN), to be installed in switchgear up to 38 kV.

Design and manufacturing are according to international standards and one and three-pole versions are available.

**DRIWISA™** fuse-holders are built on a galvanized steel frame with drillings designed to match other **DRIWISA™** equipment, using **DRIWISA™** epoxy resin insulator standoffs (refer to section Insulators), upon which connecting contacts and fuse-clips are firmly mounted. These contacts and clips are made out of silver-plated copper.

The clips are designed to provide tight pressure upon the fuse-contacts, which is the guarantee for an ample contact surface and minimum resistance, avoiding overheating and keeping the fuses in their right place, without the risk of falling out in any position of the fuse-holder. Although the fuses are tightly kept in place, their extraction is easy with the help of **DRIWISA™** fuse-pliers (refer to section Accessories).

The corresponding Selection Guides describe the available versions of fuse-holders, as well as optional accessories, such as auxiliary contacts for signalling and control purposes.

# DRIWISA™ FUSE-HOLDERS

## SINGLE AND THREE-POLE INDOOR SERVICE



# B

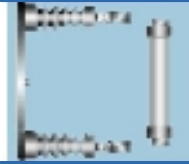
### SPECIFICATIONS AND TECHNICAL DATA

SERIES	MAXIMUM VOLTAGE kV Ur	RATED CURRENT A Ir	BASIC IMPULSE LEVEL (BIL) 1.2 x 50 $\mu$ s Up kV		WITHSTAND VOLTAGE 60 Hz 1 min DRY Ud kV	
			TO GROUND AND BETWEEN POLES	ACROSS OPEN GAP	TO GROUND AND BETWEEN POLES	ACROSS OPEN GAP
			<b>07</b>	<b>7.2</b>	<b>630</b>	<b>60</b>
<b>15</b>	<b>17.5</b>	<b>630</b>	<b>95</b>	<b>110</b>	<b>38</b>	<b>45</b>
<b>20</b>	<b>25.8</b>	<b>630</b>	<b>125</b>	<b>140</b>	<b>60</b>	<b>66</b>
<b>30</b>	<b>38</b>	<b>630</b>	<b>150</b>	<b>165</b>	<b>80</b>	<b>88</b>

Obtained tested values

# DRIWISA™ FUSE-HOLDERS

## SINGLE AND THREE-POLE INDOOR SERVICE



# B

### SELECTION CHART

**SP / 06 AM**

DEVICE CODE \_\_\_\_\_

SINGLE-POLE FUSE-HOLDER **SP**  
THREE-POLE FUSE-HOLDER **DSP**

MAXIMUM VOLTAGE \_\_\_\_\_

7.2 kV ---- **07**  
17.5 kV ---- **15**  
25.8 kV ---- **20**  
38 kV ---- **30**

RATED CURRENT \_\_\_\_\_

630 A ---- **06**

FUSE-HOLDER LENGTH ❶ \_\_\_\_\_

#### DRIVE MECHANISM ❷

**A** -- WITHOUT MECHANISM,

#### OPERATION ❸

**M** -- MANUAL, FUSE HANDLING WITH FUSE PLIERS TYPE DW-018

#### AUXILIARY CONTACTS FOR CONTROL AND SIGNALLIZATION ❹

**N** -- WITHOUT AUXILIARY CONTACTS

\* **O** -- GENERAL FUSE STATUS INDICATION  
(TWO S3 CONTACTS PER FUSE HOLDER)

\* VERIFY AVAILABILITY BEFORE ORDERING

#### ONE FUSE PER POLE ARRANGEMENT

e = 162 / 192 mm	----	<b>1</b>
e = 280 / 292 mm	----	<b>2</b>
e = 433 / 442 mm	----	<b>4</b>
e = 537 mm	----	<b>5</b>

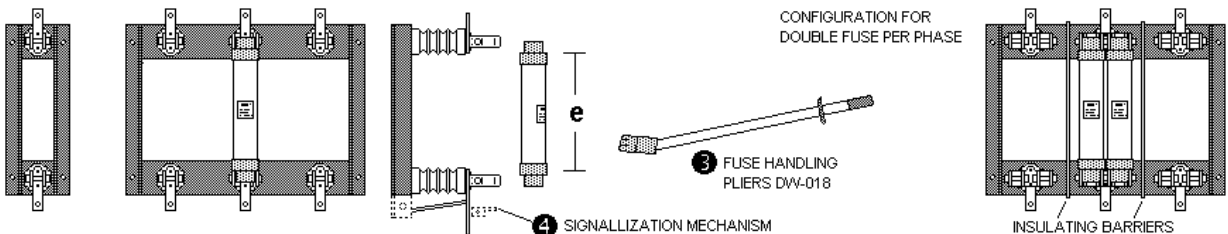
#### TWO-PARALLELED FUSES-PER-POLE ARRANGEMENT

(INSULATING BARRIERS INCLUDED IN THREE-POLE MODELS DSP)

e = 192 mm	----	<b>6</b>
e = 292 mm	----	<b>7</b>
e = 442 mm	----	<b>8</b>
e = 537 mm	----	<b>9</b>

❶ FOR FUSE SELECTION, CONSULT THE CORRESPONDING SELECTION CHART IN THE FUSE SECTION AND TECHNICAL BULLETINS 201 THROUGH 205

❷ ❸ THE OPERATION AND STANDARD MOUNTING POSITION ARE SHOWN IN THE SKETCH BELOW:



❹ APPLICABLE ONLY TO THREE-POLE VERSIONS:

# DRIWISA™ FUSE-HOLDERS

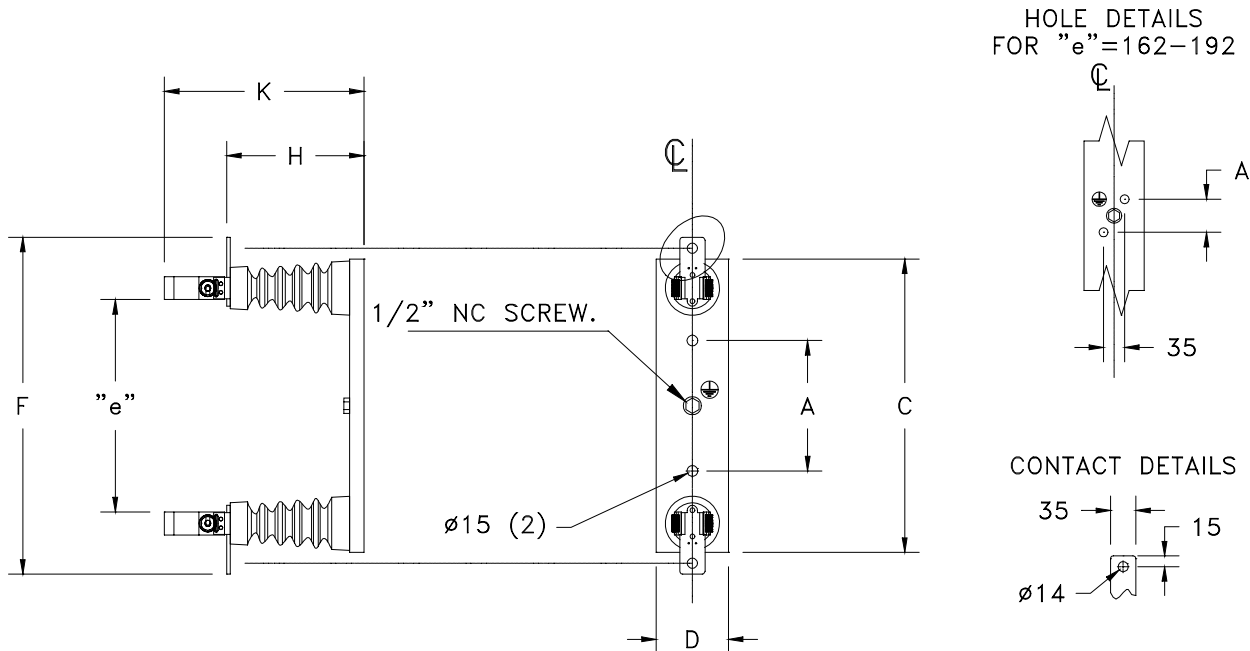
## SINGLE POLE

## INDOOR SERVICE



# B

### DIMENSION CHARTS FOR SERIES 07, 15, 20 AND 30 (630 A)



SERIES	CODE	A	C	D	"e"	*"e"	F	*F	H	K
7	SP 07 / 061	55	305	100	193	162	365	335	125	211
7	SP 07 / 062	180	405	100	293	280	465	453	125	211
7	SP 07 / 064	300	620	120	443	433	615	606	125	211
15	SP 15 / 062	180	405	100	293	280	465	453	190	276
15	SP 15 / 064	300	620	120	443	433	615	606	190	276
15	SP 15 / 065	380	670	120	538		710		190	276
20	SP 20 / 064	300	620	120	443	433	615	606	235	321
20	SP 20 / 065	380	670	120	538		710		235	321
30	SP 30 / 065	380	670	120	538		710		324	411

DIMENSIONS WITH (\*) APPLY FOR REDUCED SIZE FUSES

DIMENSIONS IN mm.

GENERAL TOLERANCES  $\pm 5.0$  mm.

DIMENSIONS AND SPECIFICATIONS MAY CHANGE WITHOUT PREVIOUS NOTICE.

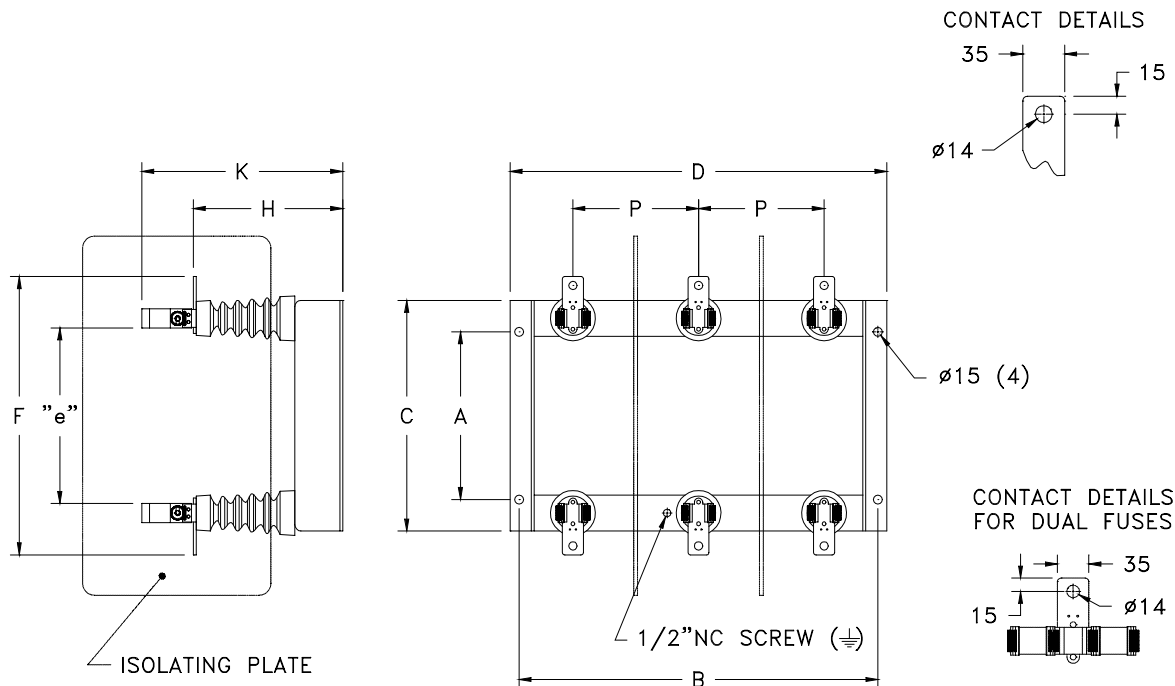
# DRIWISA™ FUSE-HOLDERS

## THREE POLE

## INDOOR SERVICE



### DIMENSION CHARTS FOR SERIES 07, 15, 20 AND 30.



SERIES	CODE	A	B	C	D	"e"	* "e"	F	*F	P	H	K
7	DSP 07 / 061 - 066	250	600	285	630	193	162	365	335	210	185	271
7	DSP 07 / 062 - 067	280	600	385	630	293	280	465	453	210	185	271
7	DSP 07 / 064 - 068	350	600	535	630	443	433	615	606	210	185	271
15	DSP 15 / 062 - 067	280	600	385	630	293	280	465	453	210	250	336
15	DSP 15 / 064 - 068	350	600	535	630	443	433	615	606	210	250	336
15	DSP 15 / 065 - 069	620	600	670	630	538		710		210	250	336
20	DSP 20 / 064 - 068	370	750	555	780	443	433	615	606	300	295	381
20	DSP 20 / 065 - 069	620	750	670	780	538		710		300	295	381
30	DSP 30 / 065 - 069	620	1000	670	1040	538		710		400	405	491

DIMENSIONS WITH (\*) APPLY FOR REDUCED SIZE FUSES.  
 DOTTED LINES APPLY FOR DUAL FUSES.

DIMENSIONS IN mm.  
 GENERAL TOLERANCES  $\pm 5.0$  mm.  
 DIMENSIONS AND SPECIFICATIONS MAY CHANGE WITHOUT PREVIOUS NOTICE.