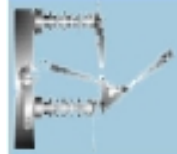


DRIWISA™ NON-LOAD ISOLATOR SWITCHES

GROUP OPERATED

INDOOR SERVICE



OVERVIEW



DRIWISA™ non-load isolator switches are mainly used as circuit isolation means, operated under no-load conditions in systems up to 38 kV, specially to give maintenance to switchgear, bars or circuits, isolating them from the supply side. Another application is as bypass switches or in arrangements of testing switches in electrical substations and industrial, urban and rural switchgear, having shown excellent performance as to their functionality, quality and design for many years.

Design, construction, dimensions, and electric and operational characteristics of the contacts are according to international standards (IEC).

DRIWISA™ non-load isolator switches are built on a non-corrosive galvanized steel frame. The drive shaft turns within synthetic material bushings, avoiding corrosion and metal wear-off which would make operation difficult after a long time of installation.

They use **DRIWISA™** epoxy-resin insulators, on which the live parts, made of silver-plated electrolytic copper (99.9%), are placed. Contact elements are oversized according

to what is established in international standards to guarantee, together with a high contact pressure, a reduced ohmic resistance at the contact surface and a minimum metal wear-off during the life of an isolator switch, with the necessary robustness to withstand thermal and mechanical stresses under short-circuit conditions.

Despite this great contact pressure, operation of **DRIWISA™** non-load isolator switches is easy and light.

DRIWISA™ non-load isolator switches can be operated manually or with a quick make/quick break mechanism. Its operation can be made through a disc type operator or a motor drive mechanism (refer to section Accessories).

The corresponding Selection Guides describe optional drive mechanisms and available accessories, such as grounding switches integrated into the same unit or auxiliary contacts for signalling and control purposes.

DRIWISA™ NON-LOAD ISOLATOR SWITCHES

GROUP OPERATED

INDOOR SERVICE



SPECIFICATIONS AND TECHNICAL DATA

SERIES	MAXIMUM VOLTAGE	RATED CURRENT	ASYMMETRICAL PEAK CURRENT	SHORT-TIME CURRENT	BASIC IMPULSE LEVEL (BIL) 1.2 x 50 μ s		WITHSTAND VOLTAGE 60 Hz 1 min DRY	
	kV	A	kA	kA(rms)	Up		Ud	
	Ur	Ir	Ip	Ik 1 sec.	TO GROUND AND BETWEEN POLES	ACROSS OPEN GAP	TO GROUND AND BETWEEN POLES	ACROSS OPEN GAP
07	7.2	400	65	25	60	70	20	23
		630	65	25	60	70	20	23
		1250	99	38.1	60	70	20	23
		2000	130	50	60	70	20	23
		3000	162.5	62.5	60	70	20	23
15	17.5	400	65	25	95	110	38	45
		630	65	25	95	110	38	45
		1250	99	38.1	95	110	38	45
		2000	130	50	95	110	38	45
		3000	162.5	62.5	95	110	38	45
20	25.8	400	65	25	125	140	60	66
		630	65	25	125	140	60	66
		1250	99	38.1	125	140	60	66
		2000	130	50	125	140	60	66
		3000	162.5	62.5	125	140	60	66
30	38	400	65	25	150	165	80	88
		630	65	25	150	165	80	88
		1250	99	38.1	150	165	80	88
		2000	130	50	150	165	80	88
		3000	162.5	62.5	150	165	80	88

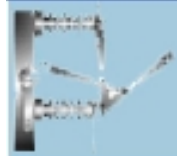
Obtained tested values

Mechanical life: \geq 1000 operations without load:

DRIWISA™ NON-LOAD ISOLATOR SWITCHES

GROUP OPERATED

INDOOR SERVICE

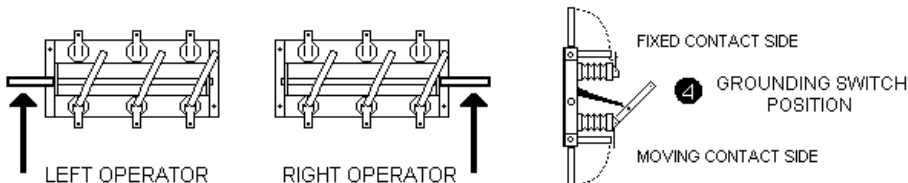


SELECTION CHART

		DTP	/	0		
DEVICE CODE _____				DRIVE MECHANISM TYPE ON MAIN SWITCH ❶		
NON-LOAD ISOLATOR				A -- WITHOUT MECHANISM ; DIRECT MANUAL DRIVE		
MAXIMUM VOLTAGE _____				OPERATOR POSITION ❷		
7.2 kV	----			J -- INDIFFERENT		
17.5 kV	----			*K -- RIGHT SIDE OPERATOR		
25.8 kV	----			*L -- LEFT SIDE OPERATOR		
38 kV	----			AUXILIARY CONTACTS		
RATED CURRENT _____				(FOR CONTROL AND SIGNALIZATION) ❸		
400 A	----			N -- WITHOUT AUXILIARY CONTACTS		
630 A	----			P -- AUXILIARY CONTACTS ON MAIN SWITCH (TYPES S1 AND S2)		
1250 A	----			Q -- AUXILIARY CONTACTS ON GROUNDING SWITCH (TYPE S4)		
2000 A	----			S -- AUXILIARY CONTACTS ON MAIN SWITCH AND ON GROUNDING SWITCH (TYPES S1 , S2 AND S4)		
3000 A	----			INTEGRAL GROUNDING SWITCH ❹		
THE THIRD FIGURE IS ALWAYS ZERO (0) IN SWITCHES WITHOUT FUSE CARRIERS (UNFUSED VERSIONS)				ONLY FOR 630 AND 1250 A (WITH BUILT-IN MECHANICAL INTERLOCK)		
				*T -- LOCATED ON MOVING CONTACT SIDE		
				DRIVE MECHANISM TYPE FOR GROUNDING SWITCH ❺		
				*E -- QUICK MAKE ONLY (SPRING DRIVEN) DIRECT MANUAL BREAK		

❶ THE DIFFERENT TYPES OF DRIVE MECHANISMS ARE DESCRIBED IN TECHNICAL BULLETIN 303.

❷ THE OPERATOR POSITION IS REFERRED TO THE STANDARD POSITION AS SHOWN BELOW:

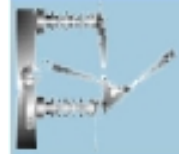


❸ TWO 1P2T AUXILIARY CONTACTS PER TYPE. REFER TO TECHNICAL BULLETIN 301 FOR FURTHER INFORMATION.

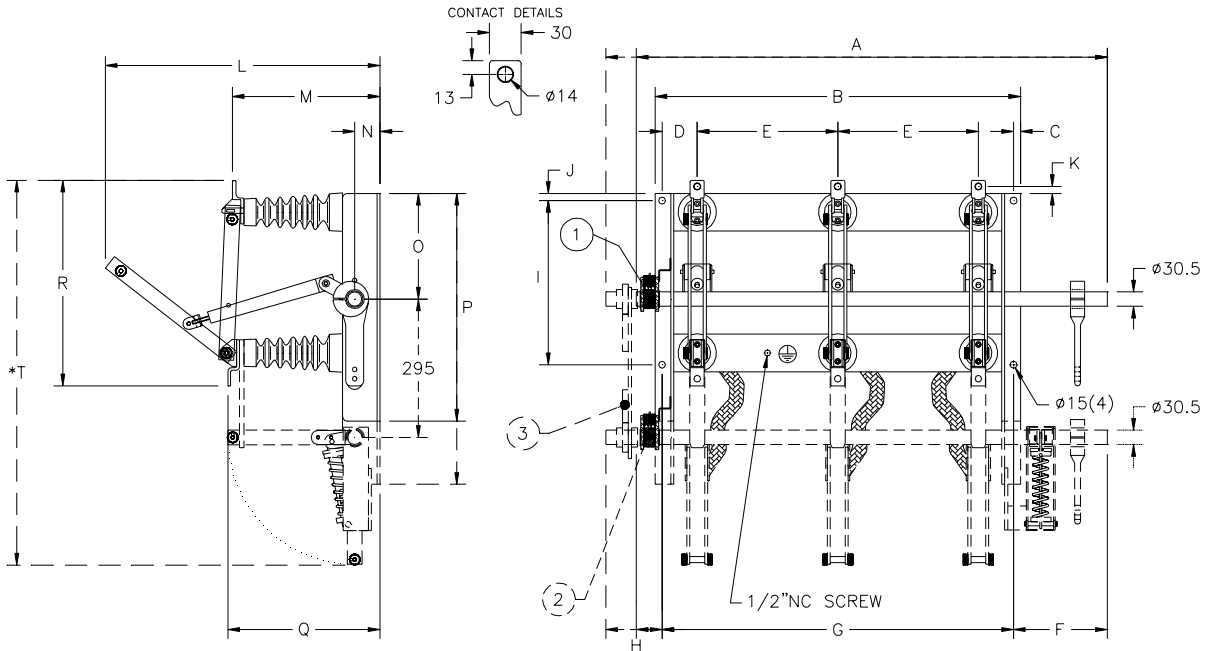
❺ SEE SECTION "E".

* VERIFY AVAILABILITY BEFORE ORDERING

DRIWISA™ NON-LOAD ISOLATOR SWITCHES GROUP OPERATED INDOOR SERVICE



DIMENSION CHARTS FOR SERIES 07, 15, 20 AND 30 (400 AND 630 A)



SERIES	CODE	OPERATOR SIDE											OPERATOR SIDE				
		A	*A	**A	B	C	D	E	**F	F	F	*F	G	**H	H	*H	H
7	DTP 07/040 - 060	855	920	1000	630	15	90	210	200	200	55	120	600	200	55	120	200
15	DTP 15/040 - 060	855	920	1000	630	15	90	210	200	200	55	120	600	200	55	120	200
20	DTP 20/040 - 060	1005	1070	1150	780	15	75	300	200	200	55	120	750	200	55	120	200
30	DTP 30/040 - 060	1305	1370	1500	1040	20	100	400	250	250	55	120	1000	250	55	120	250

SERIES	CODE	OPERATOR SIDE														
		I	J	K	L	*L	M	*M	N	O	P	*P	Q	*Q	R	*T
7	DTP 07/040 - 060	280	15	25	396	406	205	215	55	195	310	590	205	215	388	767
15	DTP 15/040 - 060	280	15	25	467	477	270	280	55	195	310	590	270	280	388	767
20	DTP 20/040 - 060	350	15	15	587	597	315	325	55	225	380	620	315	325	438	821
30	DTP 30/040 - 060	450	25	15	758	768	425	435	55	290	500	685	425	435	538	985

DOTTED LINES AND DIMENSIONS WITH (*) APPLY FOR EQUIPMENT WITH GROUNDING SWITCH (OPTION T).
DIMENSIONS WITH (**) APPLY FOR INDIFFERENT OPERATOR SIDE (OPTION J).

- 1 AUXILIARY CONTACTS S1 AND S2 (OPTION P).
- 2 AUXILIARY CONTACTS S4 AND S5 (OPTION Q).
- 3 MECHANICAL INTERLOCK.

ACCESSORIES MARKED WITH 1, 2, 3 ARE LOCATED ON THE OPPOSITE SIDE OF THE OPERATOR.

DIMENSIONS IN mm.

GENERAL TOLERANCES ±5.0 mm.

DIMENSIONS AND SPECIFICATIONS MAY CHANGE WITHOUT PREVIOUS NOTICE.

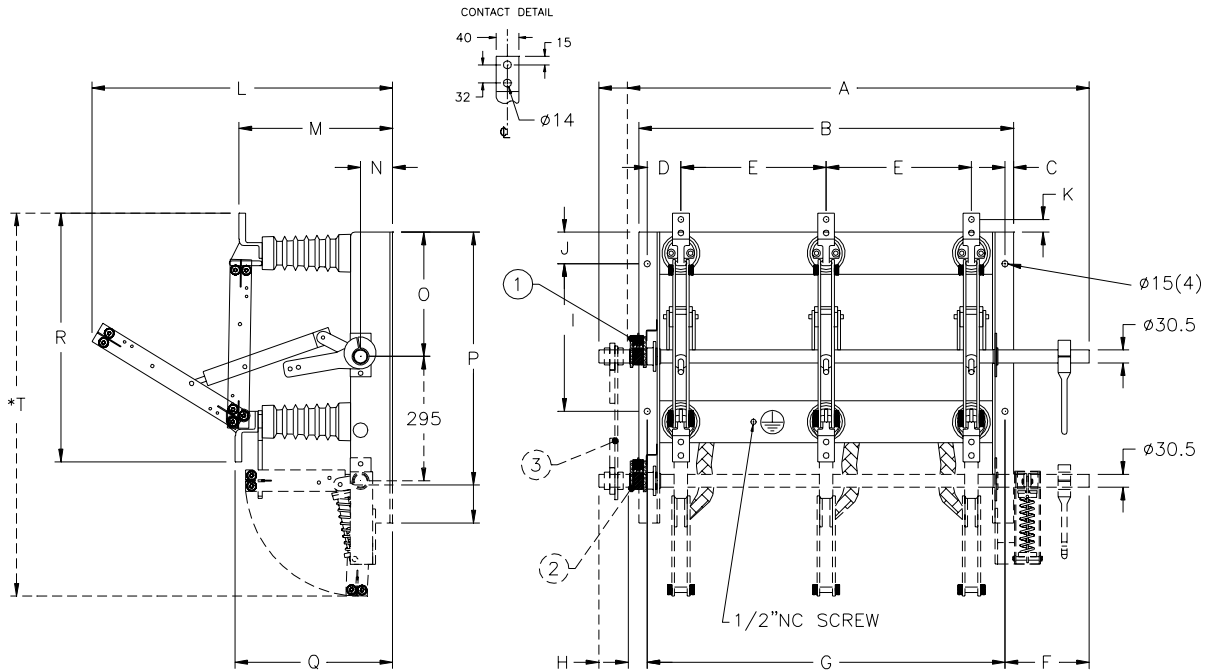
DRIWISA™ NON-LOAD ISOLATOR SWITCHES

GROUP OPERATED

INDOOR SERVICE



DIMENSION CHARTS FOR SERIES 07, 15, 20 AND 30 (1250 A)



SERIES	CODE	OPERATOR SIDE											OPERATOR SIDE				
		A	*A	**A	B	C	D	E	INDIF.		LEFT		G	INDIF.		LEFT	
									**F	F	F	*F		**H	H	*H	H
7	DTP 07/120	946	1011	1096	740	22	98	250	200	200	50	115	696	200	50	115	200
15	DTP 15/120	946	1011	1096	740	22	98	250	200	200	50	115	696	200	50	115	200
20	DTP 20/120	1100	1165	1250	890	20	80	345	200	200	50	115	850	200	50	115	200
30	DTP 30/120	1300	1365	1500	1040	20	100	400	250	250	50	115	1000	250	50	115	250

SERIES	CODE	I	J	K	L	*L	M	*M	N	O	P	*P	Q	*Q	R	*T
7	DTP 07/120	280	50	30	530	540	271	281	76	248	380	643	271	281	470	830
15	DTP 15/120	280	50	30	585	595	336	346	76	248	380	643	336	346	470	835
20	DTP 20/120	350	75	30	725	735	381	391	76	295	500	690	381	391	590	910
30	DTP 30/120	450	75	30	821	831	471	481	76	360	600	755	471	481	690	1065

DOTTED LINES AND DIMENSIONS WITH (*) APPLY FOR EQUIPMENT WITH GROUNDING SWITCH (OPTION T).
 DIMENSIONS WITH (**) APPLY FOR INDIFFERENT OPERATOR SIDE (OPTION J).

- 1 AUXILIARY CONTACTS S1 AND S2 (OPTION P).
- 2 AUXILIARY CONTACTS S4 AND S5 (OPTION Q).
- 3 MECHANICAL INTERLOCK.

ACCESSORIES MARKED WITH 1, 2, 3 ARE LOCATED ON THE OPPOSITE SIDE OF THE OPERATOR.

DIMENSIONS IN mm.

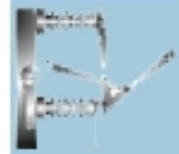
GENERAL TOLERANCES ± 5.0 mm.

DIMENSIONS AND SPECIFICATIONS MAY CHANGE WITHOUT PREVIOUS NOTICE.

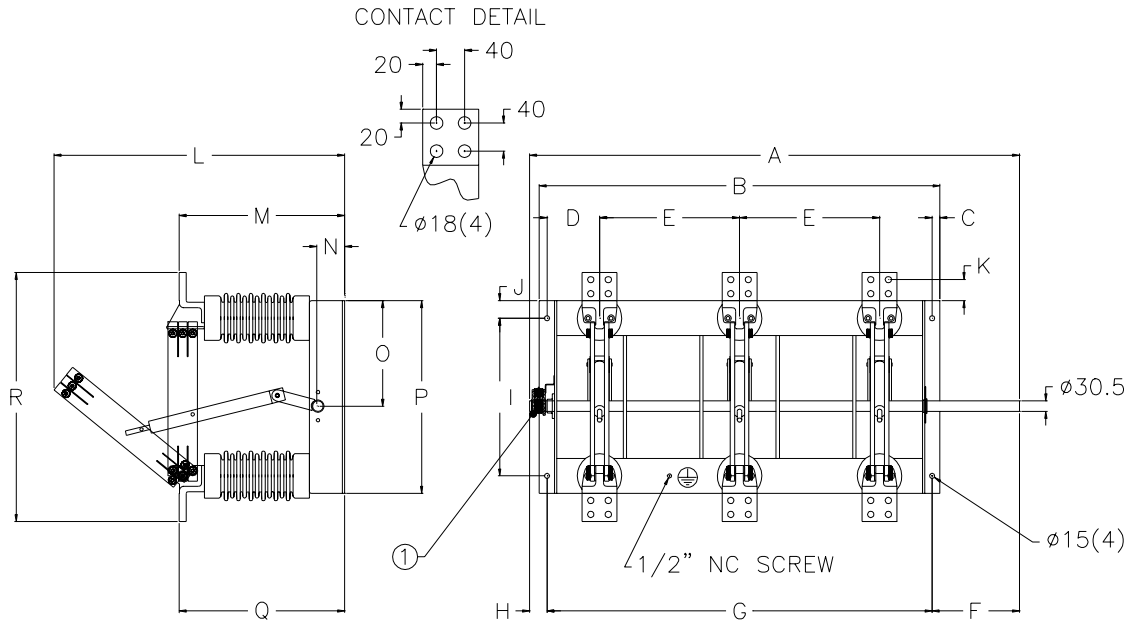
DRIWISA™ NON-LOAD ISOLATOR SWITCHES

GROUP OPERATED

INDOOR SERVICE



DIMENSION CHARTS FOR SERIES 07, 15, 20 AND 30 (2000 A)



SERIES	CODE	A	*A	B	C	D	E	OPERATOR SIDE			G	OPERATOR SIDE		
								INDIF.	RIGHT	LEFT		INDIF.	RIGHT	LEFT
7	DTP 07/200	1090	1250	870	20	115	300	210	210	50	830	210	50	210
15	DTP 15/200	1090	1250	870	20	115	300	210	210	50	830	210	50	210
20	DTP 20/200	1150	1300	940	20	130	320	200	200	50	900	200	50	200
30	DTP 30/200	1400	1600	1145	22.5	150	400	250	250	50	1100	250	50	250

SERIES	CODE	I	J	K	L	M	N	O	P	Q	R
7	DTP 07/200	350	30	60	535	290	76	250	410	290	570
15	DTP 15/200	350	30	60	610	355	76	250	410	355	570
20	DTP 20/200	350	60	60	695	400	76	295	480	400	640
30	DTP 30/200	450	60	60	850	492	76	300	550	492	710

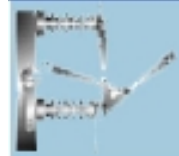
1 AUXILIARY CONTACTS S1 AND S2 (OPTION P).
 DIMENSIONS WITH (*) APPLY FOR INDIFFERENT OPERATOR SIDE (OPTION J).
 ACCESSORIES MARKED WITH 1 ARE LOCATED ON THE OPPOSITE SIDE OF THE OPERATOR.

DIMENSIONS IN mm.
 GENERAL TOLERANCES ±5.0 mm.
 DIMENSIONS AND SPECIFICATIONS MAY CHANGE WITHOUT PREVIOUS NOTICE.

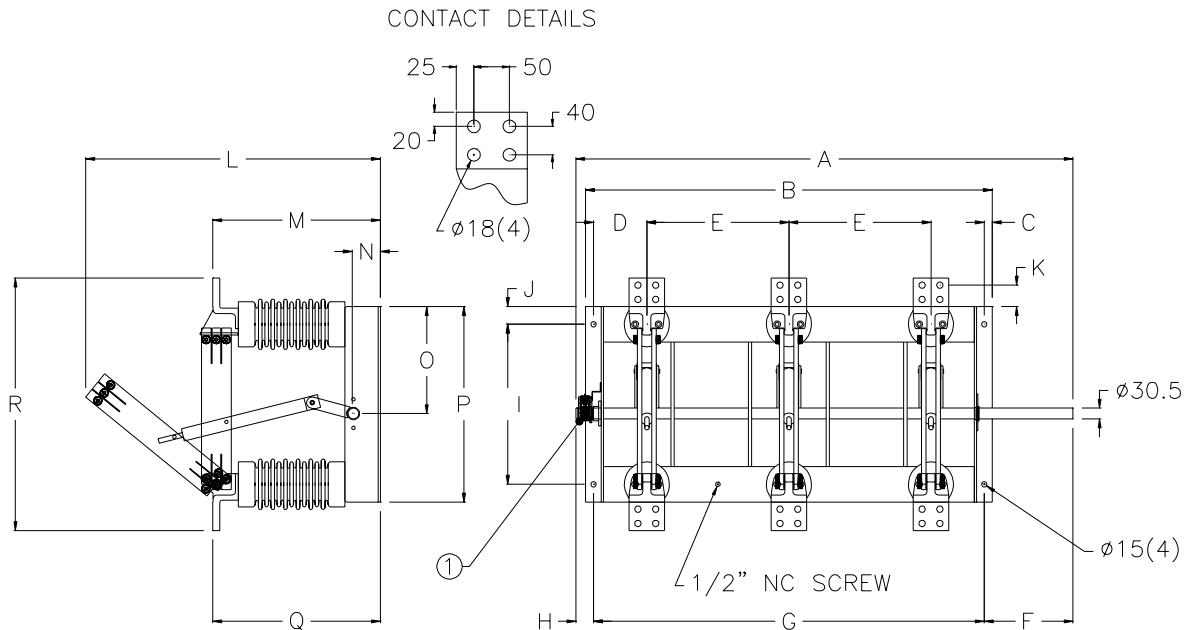
DRIWISA™ NON-LOAD ISOLATOR SWITCHES

GROUP OPERATED

INDOOR SERVICE



DIMENSION CHARTS FOR SERIES 07, 15, 20 AND 30 (3000 A)



SERIES	CODE	A	*A	B	C	D	E	OPERATOR SIDE			G	OPERATOR SIDE		
								*F	F	F		*H	H	H
7	DTP 07/300	1090	1250	870	20	115	300	210	210	50	830	210	50	210
15	DTP 15/300	1090	1250	870	20	115	300	210	210	50	830	210	50	210
20	DTP 20/300	1150	1300	940	20	130	320	200	200	50	900	200	50	200
30	DTP 30/300	1400	1600	1145	22.5	150	400	250	250	50	1100	250	50	250

SERIES	CODE	I	J	K	L	M	N	O	P	Q	R
7	DTP 07/300	350	30	60	535	290	76	250	410	290	570
15	DTP 15/300	350	30	60	610	355	76	250	410	355	570
20	DTP 20/300	350	60	60	695	400	76	295	480	400	640
30	DTP 30/300	450	60	60	850	492	76	300	550	492	710

1 AUXILIARY CONTACTS S1 AND S2 (OPTION P).
 DIMENSIONS WITH (*) APPLY FOR INDIFFERENT OPERATOR SIDE (OPTION J).
 ACCESSORIES MARKED WITH 1 ARE LOCATED ON THE OPPOSITE SIDE OF THE OPERATOR.

DIMENSIONS IN mm.
 GENERAL TOLERANCES ± 5.0 mm.
 DIMENSIONS AND SPECIFICATIONS MAY CHANGE WITHOUT PREVIOUS NOTICE.