

Motor Circuit Breakers C4



- Motor protection rating up to 100 Amps
- Short circuit breaking capacity up to 100kA
- Phase failure protection
- DIN rail mounting
- Wide range of accessories



Options and ordering codes

Model

C4/32T						C4/32R					
Setting range	Short circuit release	Part ref	Ultimate short circuit breaking/ service capacity < 400V AC max fuse A			Setting range	Short circuit release	Part ref	Ultimate short circuit breaking/ service capacity < 400V AC max fuse A		
A	A		Icu - kA	Ics - kA	gL/gG	A	A		Icu - kA	Ics - kA	gL/gG
0.10 - 0.16	2.1	C4/32T-0.16	100	100	--	0.10 - 0.16	2.1	C4/32R-0.16	100	100	--
0.16 - 0.25	3.3	C4/32T-0.25	100	100	--	0.16 - 0.25	3.3	C4/32R-0.25	100	100	--
0.25 - 0.4	5.2	C4/32T-0.4	100	100	--	0.25 - 0.4	5.2	C4/32R-0.4	100	100	--
0.4 - 0.63	8.2	C4/32T-0.63	100	100	--	0.4 - 0.63	8.2	C4/32R-0.63	100	100	--
0.63 - 1	13	C4/32T-1	100	100	--	0.63 - 1	13	C4/32R-1	100	100	--
1.0 - 1.6	20.8	C4/32T-1.6	100	100	--	1 - 1.6	20.8	C4/32R-1.6	100	100	--
1.6 - 2.5	32.5	C4/32T-2.5	100	100	--	1.6 - 2.5	32.5	C4/32R-2.5	100	100	--
2.5 - 4	52	C4/32T-4	100	100	--	2.5 - 4	52	C4/32R-4	100	100	--
4 - 6	78	C4/32T-6	100	100	--	4 - 6	78	C4/32R-6	100	100	--
5 - 8	104	C4/32T-8	100	100	--	5 - 8	104	C4/32R-8	100	100	--
6 - 10	130	C4/32T-10	50	38	80 ¹⁾	6 - 10	130	C4/32R-10	100	100	--
9 - 13	169	C4/32T-13	50	38	80 ¹⁾	9 - 13	169	C4/32R-13	100	100	--
11 - 17	221	C4/32T-17	20	15	100 ¹⁾	11 - 17	221	C4/32R-17	50	38	100 ¹⁾
14 - 22	286	C4/32T-22	15	11	100 ¹⁾	14 - 22	286	C4/32R-22	50	38	125 ¹⁾
18 - 26	338	C4/32T-26	15	11	100 ¹⁾	18 - 26	338	C4/32R-26	50	38	125 ¹⁾
22 - 32	416	C4/32T-32	15	11	100 ¹⁾	22 - 32	416	C4/32R-32	50	38	125 ¹⁾

Model

C4/63R						C4/100R					
Setting range	Short circuit release	Part ref	Ultimate short circuit breaking/ service capacity < 400V AC max fuse A			Setting range	Short circuit release	Part ref	Ultimate short circuit breaking/ service capacity < 400V AC max fuse A		
A	A		Icu - kA	Ics - kA	gL/gG	A	A		Icu - kA	Ics - kA	gL/gG
18 - 26	338	C4/63R-26	50	50	125 ¹⁾	45 - 63	819	C4/100R-63	50	38	160 ¹⁾
22 - 32	416	C4/63R-32	50	50	125 ¹⁾	55 - 75	975	C4/100R-75	50	38	160 ¹⁾
28 - 40	520	C4/63R-40	50	50	160 ¹⁾	70 - 90	1170	C4/100R-90	50	38	160 ¹⁾
34 - 50	650	C4/63R-50	50	50	160 ¹⁾	80 - 100	1300	C4/100R-100	50	38	160 ¹⁾
45 - 63	819	C4/63R-63	50	50	160 ¹⁾						

-- No back-up fuse required

¹⁾ Back up fuse required if short circuit current at installation point > Icu - kA

Accessories

Top mounted auxiliary contact block, max 1 per circuit breaker

Description	Version	For use with	Type
Contact block	1NO + 1NC	All	C4HQ11
Contact block	2NO	All	C4HQ20
Contact block	2NC	All	C4HQ02

Auxiliary contact block for left hand side mounting, 1 per circuit breaker (cannot be fitted next to another breaker on a bus bar)

Description	Version	For use with	Type
Contact block	1NO + 1NC	All	C4HS11
Contact block	2NO	All	C4HS20
Contact block	2NC	All	C4HS02

Trip alarm/magnetic trip alarm switch for left hand side mounting, max 1 per circuit breaker

Description	Version	For use with	Type
Trip alarm	1NO + 1NC short circuit signal alarm	All	C4M11
Magnetic trip alarm	1NO + 1NC short circuit signal alarm	C4/32R	C4MA11

Auxiliary releases for right hand side mounting, max 1 per circuit breaker

Description	Version	For use with	Type
Under voltage trip: trips the circuit breaker when the voltage is interrupted. Prevents accidental restart.	24V 50Hz, 28V 60Hz	All	C4U24
	110 to 127V 50Hz, 120V 60Hz	All	C4U110
	220 to 230V 50Hz, 240 to 260V 60Hz	All	C4U230
	240V 50Hz, 277V 60Hz	All	C4U240
	380 to 400V 50Hz, 440 to 460V 60Hz	All	C4U400
Shunt trip: trips the circuit breaker when the release coil is energised.	415 to 440V 50Hz, 460 to 480V 60Hz	All	C4U415
	24V 50Hz, 28V 60Hz	All	C4A24
	110 to 127V 50Hz, 120V 60Hz	All	C4A110
	220 to 230V 50Hz, 240 to 260V 60Hz	All	C4A230
	240V 50Hz, 277V 60Hz	All	C4A240
	380 to 400V 50Hz, 440 to 460V 60Hz	All	C4A400
	415 to 440V 50Hz, 460 to 480V 60Hz	All	C4A415

Accessories

Description	For use with	Type
Scale cover: for cover current setting scale	All	C4K
Push in lugs: for plate mounting	C4-32	C432L
Insulation barrier: up to 600V acc. UL489 for increased rating acc. UL Type "E"	C4-100	C4100E

Door coupling rotary mechanisms

The door coupling rotary operating mechanisms consist of a knob, a coupling driver and an extension shaft (5mm x 5mm). The door-coupling rotary operating mechanisms are designed for degree of protection IP65. The door

locking device prevents accidental opening of the cubicle door in the on position of the circuit breaker. The off position can be locked with upto 3 padlocks.

Description	Version	For use with	Type
Door coupling rotary mechanism black	Ext shaft 130mm	C4/32R... 100R	C432R-100RZH4130
	Ext shaft 330mm with support bracket		C432R-100RZH4330
Emergency stop: Door coupling rotary mechanism Red/Yellow	Ext shaft 130mm	C4/32R... 100R	C432R-100RZHN4130
	Ext shaft 330mm with support bracket		C432R-100RZHN4330

Accessories continued

Insulated 3-phase busbar system

For feeding several modular circuit breakers on standard mounting rails, insulated and shock protected. Rated operational voltage 690V.

Description	Version	For use with	Type
3-phase busbars modular spacing 45mm	for 2 circuit-breakers	C4/32	C432S2
	for 3 circuit-breakers		C432S3
	for 4 circuit-breakers		C432S4
	for 5 circuit-breakers		C432S5
3-phase busbars modular spacing 55mm	for 2 circuit-breakers	C4/63	C463S2
Line side terminal 3-pole, connection from above	Conductor cross section solid or stranded 6 - 25mm ² with end sleeve 4-16mm ²	C4/32	C432SE
Cover for tags	Touch guard for empty spaces	C4/32	C432SF

Mounting parts for motor circuit breaker/contactator combination

Description	Version	For use with	Type
Adapter for mechanical fixing of circuit breaker and contactor	35mm DIN rail (DIN 50022) or screw mounting	C4/32	C432HUI
Adapter for mechanical fixing of circuit breaker and contactor	DIN rail mounting 2x35 DIN rails with 125mm distances or 75mm DIN rail or screw fixing	C4/63	C463HUI
Adapter for mechanical fixing of circuit breaker and contactor	DIN rail mounting 2x35 DIN rails with 125mm distances or 75mm DIN rail or screw fixing	C4/100	C4100HUI
Adapter for mechanical fixing of circuit breaker and reversing or YD states	DIN rail mounting 2x35 DIN rails with 125mm distances or 75mm DIN rail or screw fixing	C4/32	C432HU2

Busbar adapters

Description	Version	For use with	Type
Busbar adapter for mechanical fixing of breaker and contactor	60mm system for 3 copper busbars acc. to Din 46433, width 12 and 15mm thickness: 5, 10mm	C4/32	C432SA60

Link modules

For mechanical fixing and electrical connecting between circuit breaker and contactor

Description	Version	Type	
Link module for electrical and mechanical connection	for C4/32 ... with contactors MB	C432VK1	max 32A
	for C4/32 ... with contactors MC10 to MC22	C432VK3	max 32A
	for C4/32 ... with contactors MCD10 to MCD22	C432VKG3	max 32A
Link module for electrical connection	for C4/32 ... with contactors MC(D)24 to MC(D)40	C432VD	max 32A
	for C4/63 ... with contactors MC24 to MC74	C4663VD	max 63A
	for C4/63 ... with contactors MCD24 to MCD40	C463VDG	max 63A
	for C4/100 ... with contactors MC50 to MC74	C4100VD	max 100A

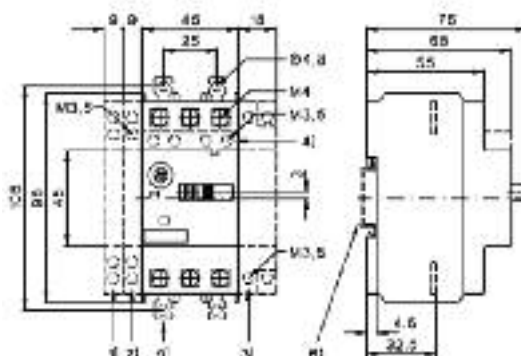
Motor Circuit Breakers C4



Dimensions (mm)

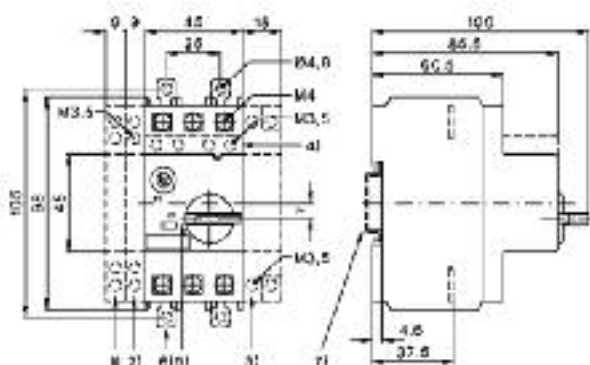
Circuit-breaker C4-32T

- 1) Side aux. contact
- 2) Magnetic trip alarm
- 3) Shunt or undervoltage release of arcing
- 4) Transverse aux. contact
- 5) Push-in Lugs for screw mounting
- 6) 35mm DIN-rail acc. to EN 50022



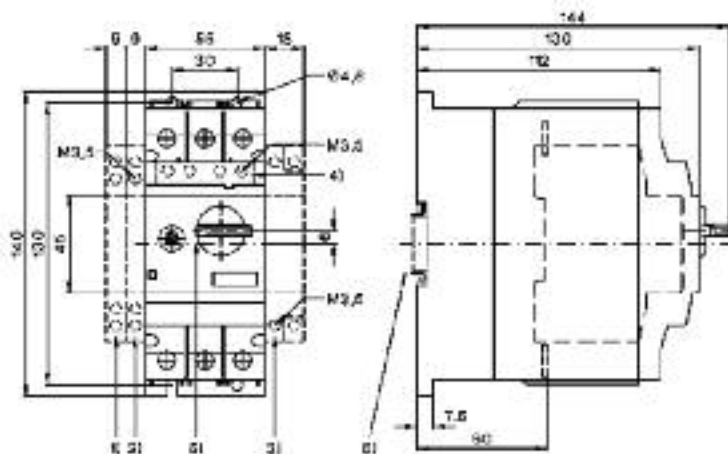
Circuit-breaker C4-32R

- 1) Side aux. contact
- 2) Magnetic trip alarm
- 3) Shunt or undervoltage release of arcing
- 4) Transverse aux. contact
- 5) Handle lock in OFF-position (Ø 5mm)
- 6) Push-in Lugs for screw mounting
- 7) 35mm DIN-rail acc. to EN 50022



Circuit-breaker C4-63R

- 1) Side aux. contact
- 2) Magnetic trip alarm
- 3) Shunt or undervoltage release
- 4) Transverse aux. contact
- 5) Handle lock in OFF-position (Ø 5mm)
- 6) 35mm DIN-rail acc. to EN 50022



Circuit-breaker C4-100R

- 1) Side aux. contact
- 2) Magnetic trip alarm
- 3) Shunt or undervoltage release
- 4) Transverse aux. contact
- 5) Handle lock in OFF-position (Ø 5mm)
- 6) 35mm DIN-rail acc. to EN 50022
- 7) 70mm DIN-rail acc. to EN 50023
- 8) 4mm hexagon socket screw

