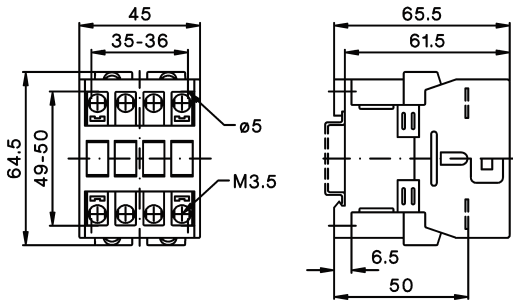


Contactors

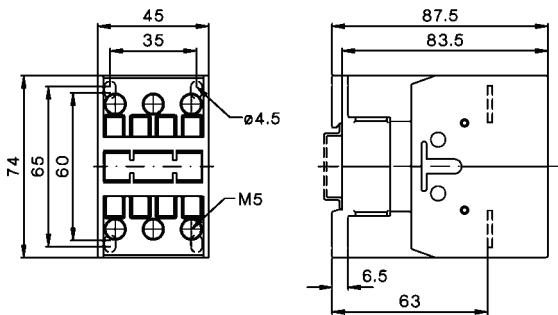
Dimensions

AC operated

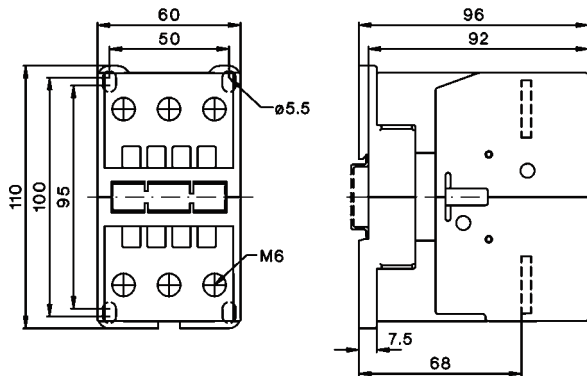
MC10N..
MC14N..
MC18N..
MC22N..



MC24N..
MC32N..
MC40N..

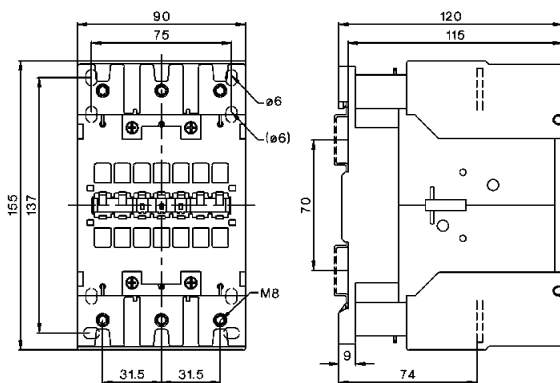


MC50N..
MC62N..
MC74N..



AC and DC operated

MC90N..
MC115N..

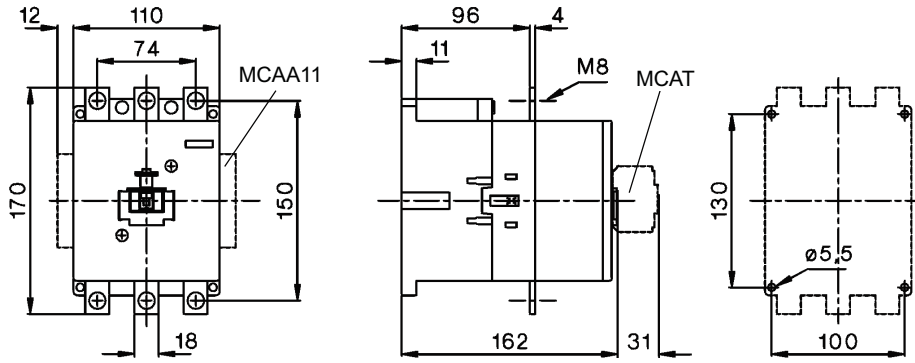


Contactors

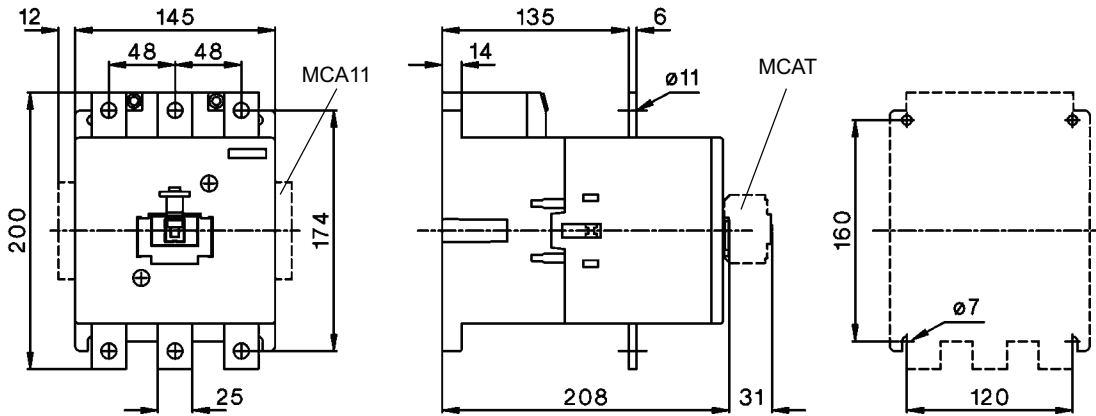
Dimensions

AC operated, DC operated

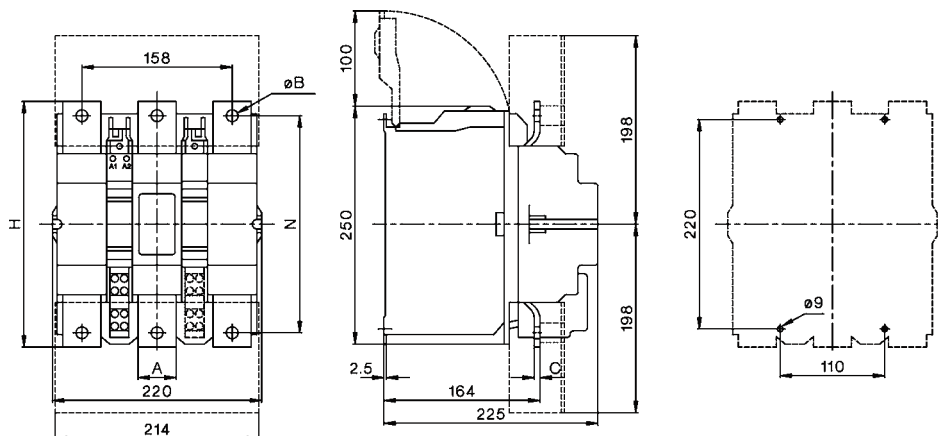
MC151..
MC176..



MC210..
MC260..
MC316..



MC450..
MC550..



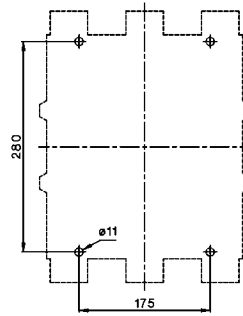
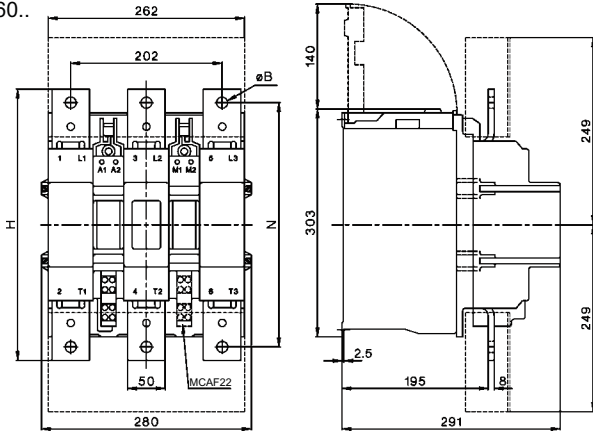
Typ	A	B	C	H	N
MC450	40	10,5	4	233	206
MC550	40	12,5	6	258	228

Contactors

Dimensions

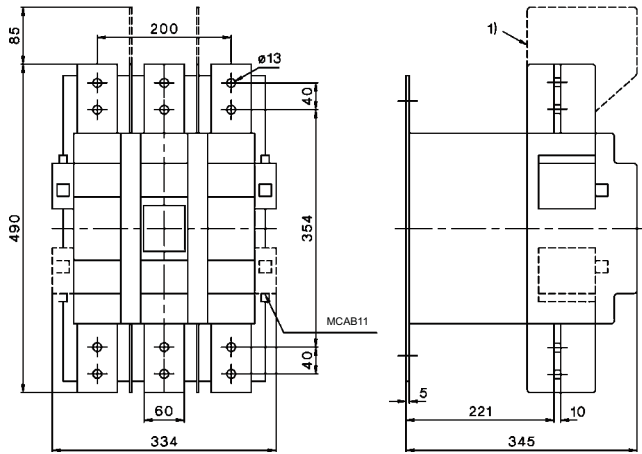
AC and DC operated

MC700..
MC860..



Typ	B	H	N
MC700	13	310	277
MC860	15	361	325

MC1000..
MC1200..



1) for MC-1200 in UL conformity application only

