

C069 Enclosed Changeover Switches



Technical Datasheet

Key Features

- 3 & 4 Pole Versions
- On Load 20A - 63A
- Red/Yellow High Visibility Handles
- Up to 3 Padlock Positions
- Protection Rating IP65 (Enclosure)
- 4 Knockouts for Cable Glands
- UL Approved



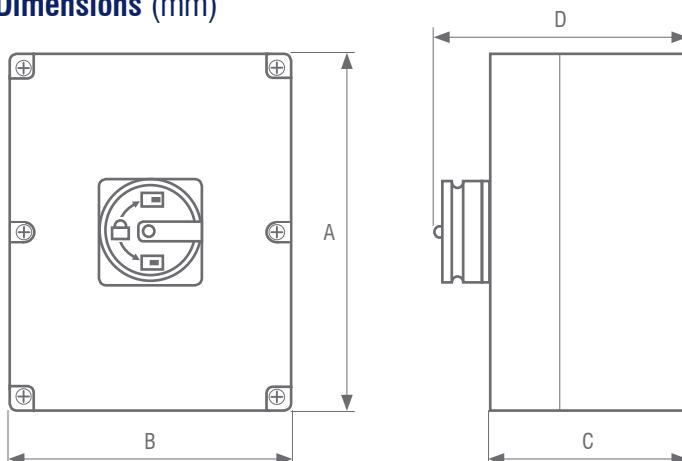
Options & Ordering Codes

C069	30	20
Series Name		
Enclosed Changeover	C069	
Number of Poles		Rating @ 690V
3 Pole	30	20 20 Amps AC21
4 Pole	40	25 25 Amps AC21
		32 32 Amps AC21
		40 40 Amps AC21
		63 63 Amps AC21

Technical Specifications

Part Number	No. of Poles	Rating AC21 @ 690V	AC23 3 x 400V
C069-3020	3	20A	7.5kW
C069-3025	3	25A	10kW
C069-3032	3	32A	12.5kW
C069-3040	3	40A	16kW
C069-3063	3	63A	22kW
C069-4020	4	20A	7.5kW
C069-4025	4	25A	10kW
C069-4032	4	32A	12.5kW
C069-4040	4	40A	16kW
C069-4063	4	63A	22kW

Dimensions (mm)



Part Number	A	B	C	D	Gland Entry	
					Top	Bottom
C069-3020	200	120	86	122	40.5 / 32.5 + 16.5	
C069-3025	200	120	86	122	40.5 / 32.5 + 16.5	
C069-3032	200	120	86	122	40.5 / 32.5 + 16.5	
C069-3040	240	160	120	156	40.5 / 32.5	
C069-3063	240	160	120	156	40.5 / 32.5	
C069-4020	240	160	120	156	40.5 / 32.5	
C069-4025	240	160	120	156	40.5 / 32.5	
C069-4032	240	160	120	156	40.5 / 32.5	
C069-4040	240	160	120	156	40.5 / 32.5	
C069-4063	240	176	120	156	40.5 / 32.5	