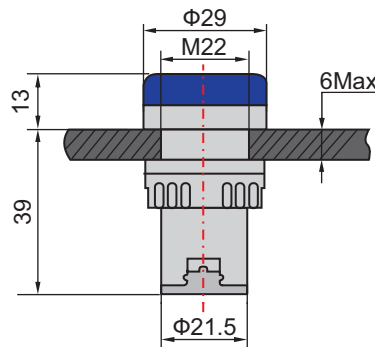


LEDtec 22.5mm LED Indicators



Colours available:
Red, Yellow, Green,
White, Blue

High performance and reliability make our single colour LED Indicators a perfect choice. TUV, UL and CSA approvals make them ideal for International applications.



LEDtec Accessories



LEDtec Handtool

Specifically designed to fit our 22.5mm LEDtec range, this handy tool makes securing of the rear locking ring quick and effortless.

LEDtec Technical Specification

Voltages Available (V_n)	6, 12, 24, 48Vac/dc; 110Vac; 110Vdc and 230Vac
Operating Voltage Range	$V_n \pm 15\%$
Frequency (ac)	50 - 60Hz
Insulation Resistance	$\geq 2M\Omega$
Insulation Withstand	2.5kVac, 1 minute
Current/Power Consumption	$\leq 20mA$
IP Rating (from front)	IP65
Brightness	$\geq 60 \text{ cd/m}^3$
Operational Life	30,000 hours
Temperature Range	-25°C to +55°C
Relative Humidity	$\leq 98\%$
Box Quantity	10
Certification	CE, TUV, UL, CSA

LEDtec Ordering Scheme

