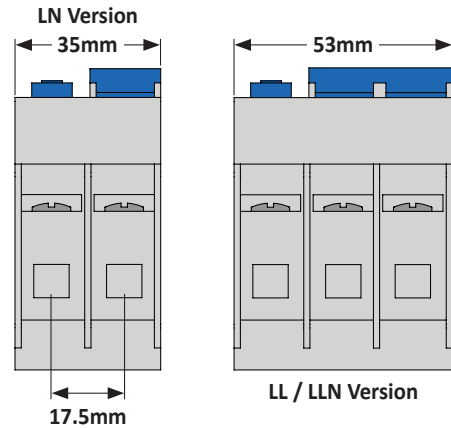
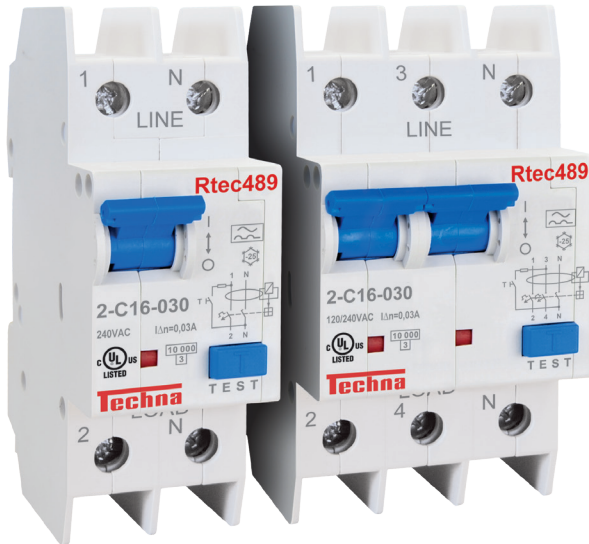


Rtec489 5A - 40A

10kA UL489 Listed Branch Circuit Breaker with Equipment Ground Fault Protection (RCBO)



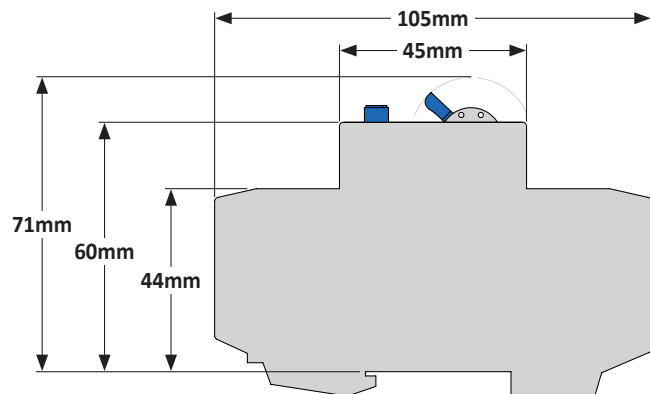
Rtec489 10kA RCBOs



The Rtec489 range is a combined Branch Circuit Breaker and Equipment Ground Fault Protector, featuring dual pole switching (live and neutral disconnect) and designed to provide protection against short circuits, overloads, AC ground faults (residual current faults) as well as pulsating DC ground faults.

NOTE:

- LN = Up to 240V Single Phase System with neutral connection.
- LL = 120/240V Split Phase System with no neutral connection.
- LLN = 120/240V Split Phase System with neutral connection.

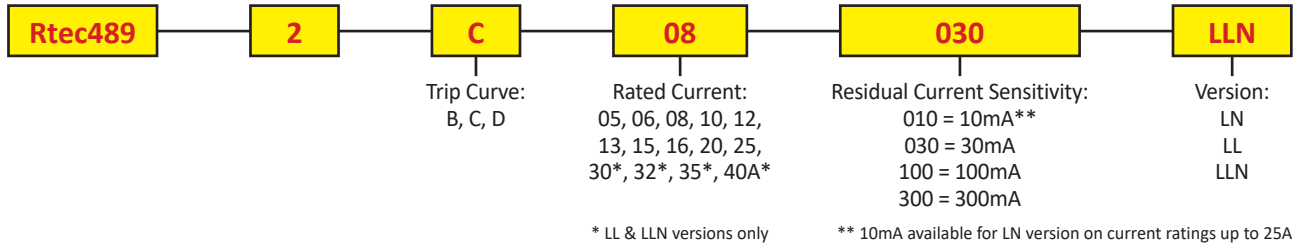


Rtec489 Technical Specification

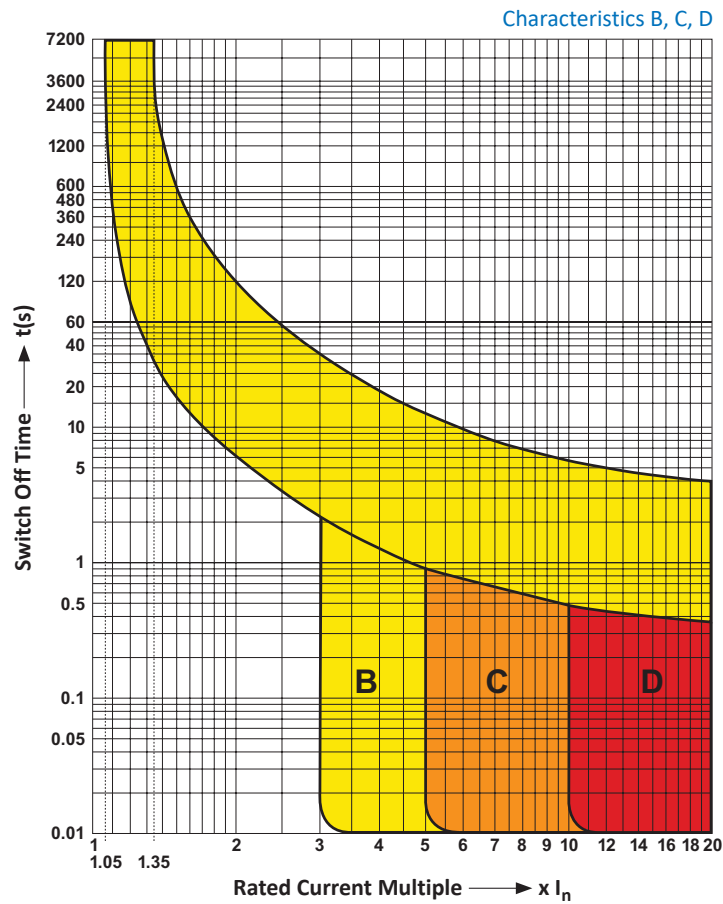
Number of Poles	1+N (LN)		2 (LL), 2+N (LLN)
	Rated Voltage (U _n)	120Vac	240Vac
Rated Current	5, 6, 8, 10, 12, 13, 15, 16, 20, 25A		5, 6, 8, 10, 12, 13, 15, 16, 20, 25, 30, 32, 35, 40A
Rated Residual Operating Current (I _n)	10**, 30, 100, 300mA		
Rated Short Circuit Capacity	10kA		
Rated Frequency	50/60Hz		
Overload Tripping	B, C and D		
Cable Size & Tightening Torque	Stranded wire sized 16 - 3 AWG (1.5mm ² - 25mm ²) @ 17.5lb-in (2.0Nm)		
	Solid wire sized 16 - 10 AWG (1.5mm ² - 5.5mm ²) @ 17.5lb-in (2.0Nm)		
	Solid wire sized 18 - 16 AWG (1mm ² - 1.5mm ²) @ 25lb-in (2.8Nm)		
Electrical Life	6000 Switching Operations		
Mechanical Life	10000 Switching Operations		

** 10mA available for LN version on current ratings up to 25A

Rtec489 Ordering Scheme



Rtec489 Overload Trip Curves



Rtec489 Ground Fault Trip Curve

