

RtecUL 5A - 40A

480Y/277Vac Equipment Ground Fault Protection Relay with inbuilt Overload Protection (RCBO)

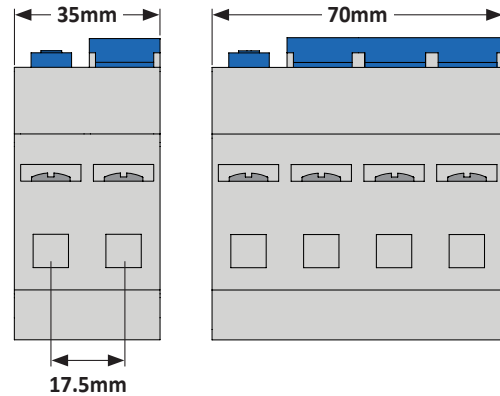
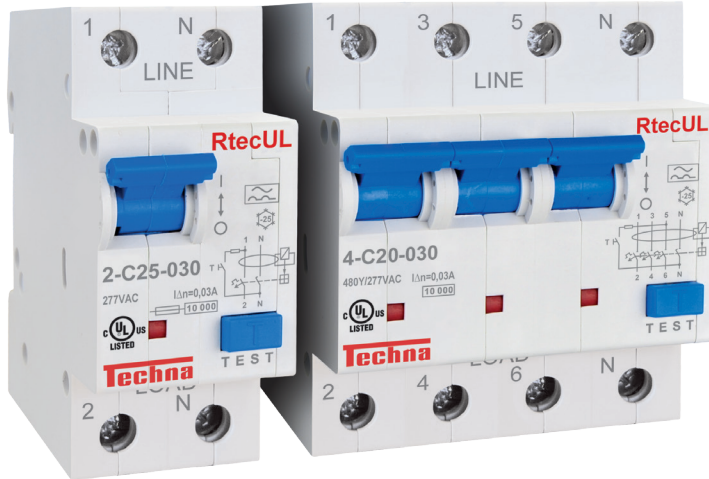


LISTED

E475399

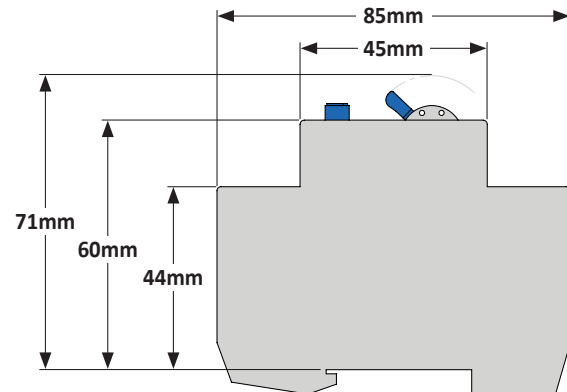
Ground Fault Sensing & Relaying Equipment

RtecUL Protectors



The RtecUL range is a combined Equipment Ground Fault Relay and Overload Protector (RCBO), featuring dual pole switching (live and neutral disconnect) and designed to provide protection against short circuits, overloads, AC ground faults (residual current faults) as well as pulsating DC ground faults and has an interrupting capacity of 10kA.

The RtecUL device is also rated to UL1077 (E243696) as a Supplementary Overload Protector.



RtecUL Technical Specification

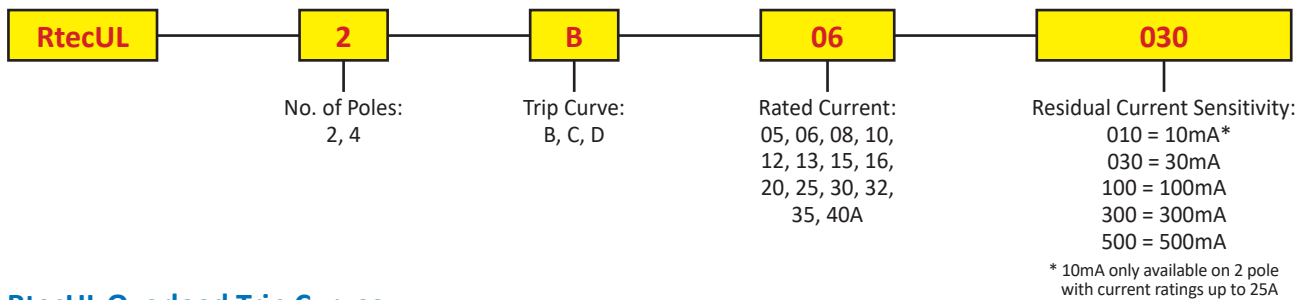
Number of Poles	2	4
Rated Voltage (U_n)	120 - 277Vac	Up to 480Y/277Vac
Rated Current	5, 6, 8, 10, 12, 13, 15, 16, 20, 25, 30, 32, 35, 40A	
Rated Residual Operating Current (I_n)	10*, 30, 100, 300, 500mA	
Rated Frequency	50/60Hz	
Overload Tripping	B, C and D	
Cable Size & Tightening Torque	Stranded wire sized 16 - 3 AWG (1.5mm ² - 25mm ²) @ 17.5lb-in (2.0Nm)	
	Solid wire sized 16 - 10 AWG (1.5mm ² - 5.5mm ²) @ 17.5lb-in (2.0Nm)	
	Solid wire sized 18 - 16 AWG (1mm ² - 1.5mm ²) @ 25lb-in (2.8Nm)	
Electrical Life	6000 Switching Operations	
Mechanical Life	10000 Switching Operations	

* 10mA only available on 2 pole with current ratings up to 25A

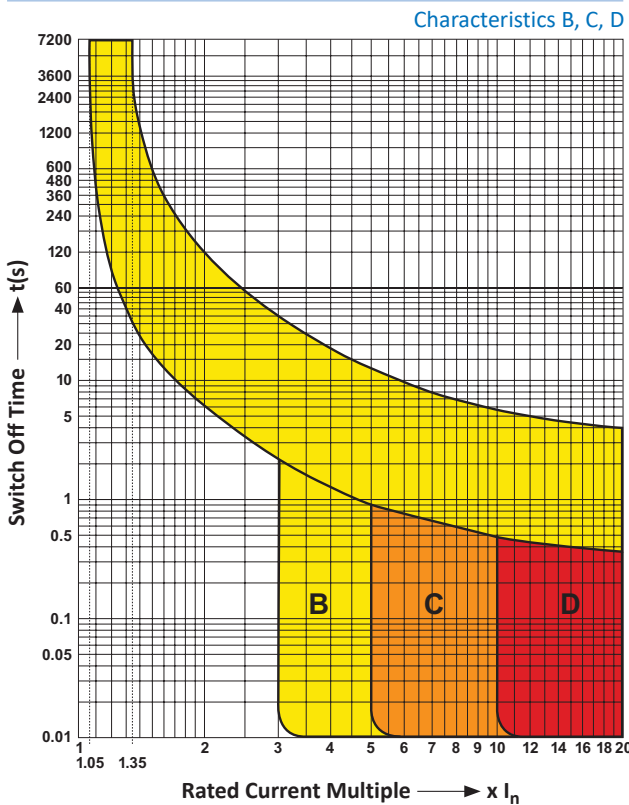
RtecUL Interrupting Capacities

Voltage	Current Rating	Interrupt Rating	Series Backup Device
2 Pole 277VAC	≤20A	10kA	None
	>20A	10kA	Class J Fuse 250A or lower
			Techna Jtec489 Branch Circuit Breaker Techna JtecUL Supplementary Protector
4 Pole 480Y/277VAC	≤20A	10kA	None
	>20A	10kA	Class J Fuse 250A or lower
			Techna Jtec489 Branch Circuit Breaker Techna JtecUL Supplementary Protector

RtecUL Ordering Scheme



RtecUL Overload Trip Curves



RtecUL Ground Fault Trip Curve

